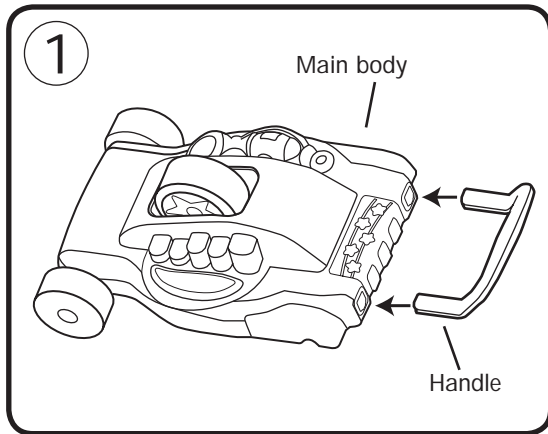




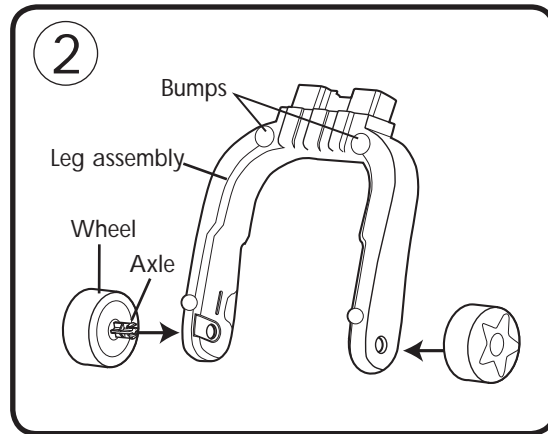
Learning Band™ Walker Assembly and Use Instructions

Walker assembly for UPRIGHT position



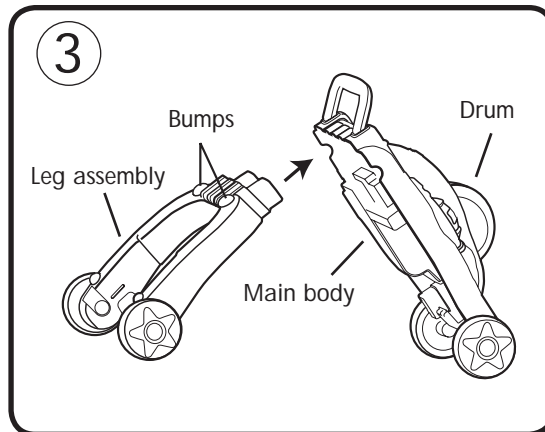
Handle assembly

The handle is a one-time snap-fit. Hold the handle so that the notes and star details face upward. Insert the handle into the slots at the head of the main body until it SNAPS securely.



Wheel assembly

The rear wheels are designed as a one-time snap-fit into the leg assembly. Both wheels are the same. Firmly press one wheel axle into the hole in the leg assembly so that the wheel axle SNAPS and LOCKS into place. Repeat on the other side.



Leg assembly

For upright play, attach the leg assembly to the underside of the main body, making sure the bumps on the leg assembly point away from the underside of the main body.

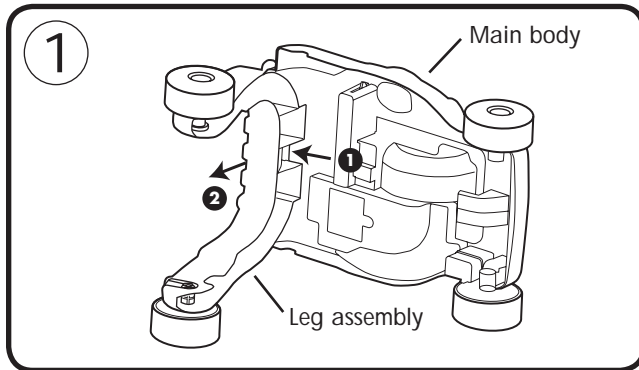
Insert the leg assembly into the slots in the underside of the main body near the handle area. The assembly is designed to fit only one way into the slots. Make sure that the leg assembly is securely locked in place.

Note: Before play, pull on the leg assembly to make sure the legs are locked securely in place.

PLEASE KEEP INSTRUCTIONS FOR FUTURE REFERENCE

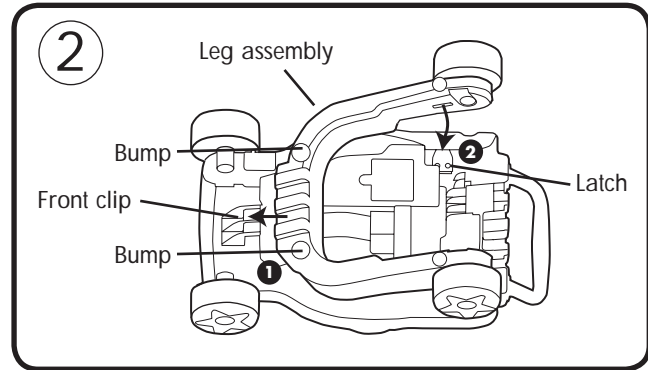


Learning Band™ Walker Assembly and Use Instructions Walker disassembly for DOWN position



Leg disassembly

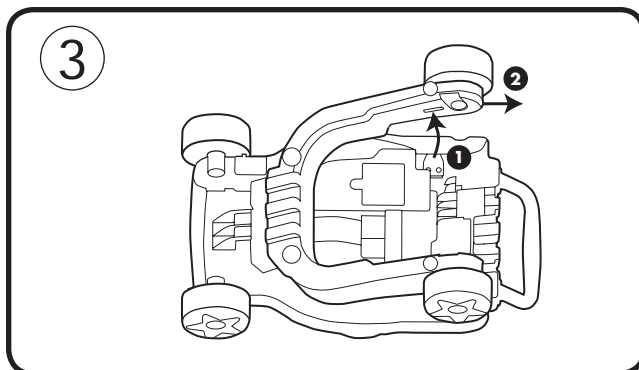
To remove the legs, (1) gently push in the leg lock button to unlock the legs from the underside of the main body. (2) While holding the button down, gently pull the leg assembly from the main body until it disengages completely.



Storing legs

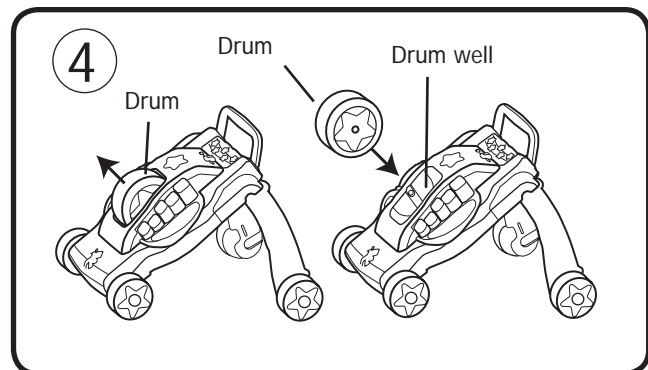
To store the leg assembly underneath the main body, lay product on its drum and handle, then (1) insert the leg assembly with the bumps facing up and the wheels facing the back of the main body. Slide the front of the leg assembly into the front clip on the main body. (2) Firmly press the back of the leg assembly into the underside of the main body until the latches on both sides lock into place.

Note: In the DOWN position, the product will not be fully functional unless the leg assembly is properly stored underneath the main body.



Removing legs

To remove the legs from storage underneath the main body, (1) pull the rear of the leg assembly up to disengage the legs. (2) Pull the leg assembly out of the front clip by pulling toward the handle.



Drum removal/replacement

(1) To remove the drum, hold the main body firmly and pull upward on the drum. (2) To replace the drum, hold the main body firmly (make sure the drum is oriented correctly, with the center bump of drum facing the trombone), and insert the drum so that it is fully engaged.

Note: The drum is designed to be removed from the walker in case jammed objects or debris enter the drum well.

For additional help, please visit our Consumer Support Web site at: <http://www.leapfrog.com/support>, or write to: LeapFrog Enterprises, Inc., Attn: Consumer Services, 6401 Hollis Street, Suite 150, Emeryville, CA 94608. Please refer to the Parent Guide for further information.

LEAPFROG, the LeapFrog logo, and LEARNING BAND are trademarks or registered trademarks of LeapFrog Enterprises, Inc. © 2004 LeapFrog Enterprises, Inc. All rights reserved. Printed in China. Part No. 605-10044-A